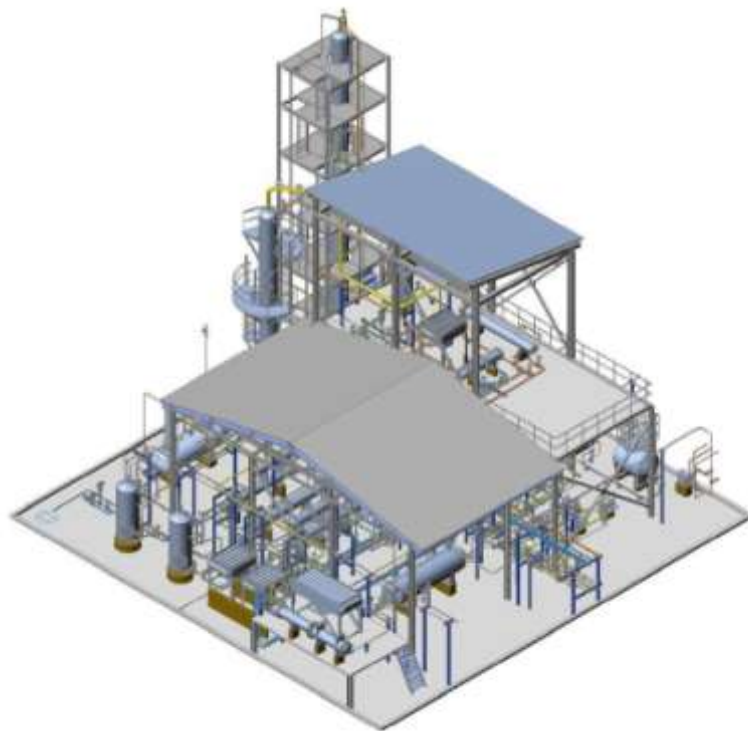


LLC NPE “NOUprom”



Of LLC NPE “NOUprom”



Krasnodar RF

2018

History of the enterprise

Our company is one of the first companies in Russia to develop and manufacture equipment for mini oil refineries.

The company founded in 1991 by the Director Olgin Alexander Evenyevich, Ph.D. in Engineering Science and creator of more than 80 inventions.

Nowadays, the company has designed and manufactured equipment for more than 130 mini oil refineries, and has sold about 150 equipment sets out of projects. The company has obtained extensive experience in designing of oil refining facilities. The geography of our facilities includes all the Russian Federation and many CIS countries.

Principal focus areas of the enterprise

- Designing and implementation of new technologies of in-depth processing of oil
- Designing of oil processing complexes for refineries
- Designing of industrial facilities
- Manufacture and sale of equipment for oil refineries
- Production of crude oil distillation plants for mini oil refineries
- Manufacturing of plants for production of bitumen from fuel oil and tar.
- Designer supervision, start-up and commissioning of oil refining plants
- Scientific research of deep oil refining processes and production of high quality oil products.

Photographs of the facilities



LLC Research and Production Enterprise "NOUprom"



furnaces
ANV-3.0



furnaces
ANV-1.0



Heat exchanger



Special equipment



Special equipment



Pressure vessel



fractionators

LLC Research and Production Enterprise “NOUprom”

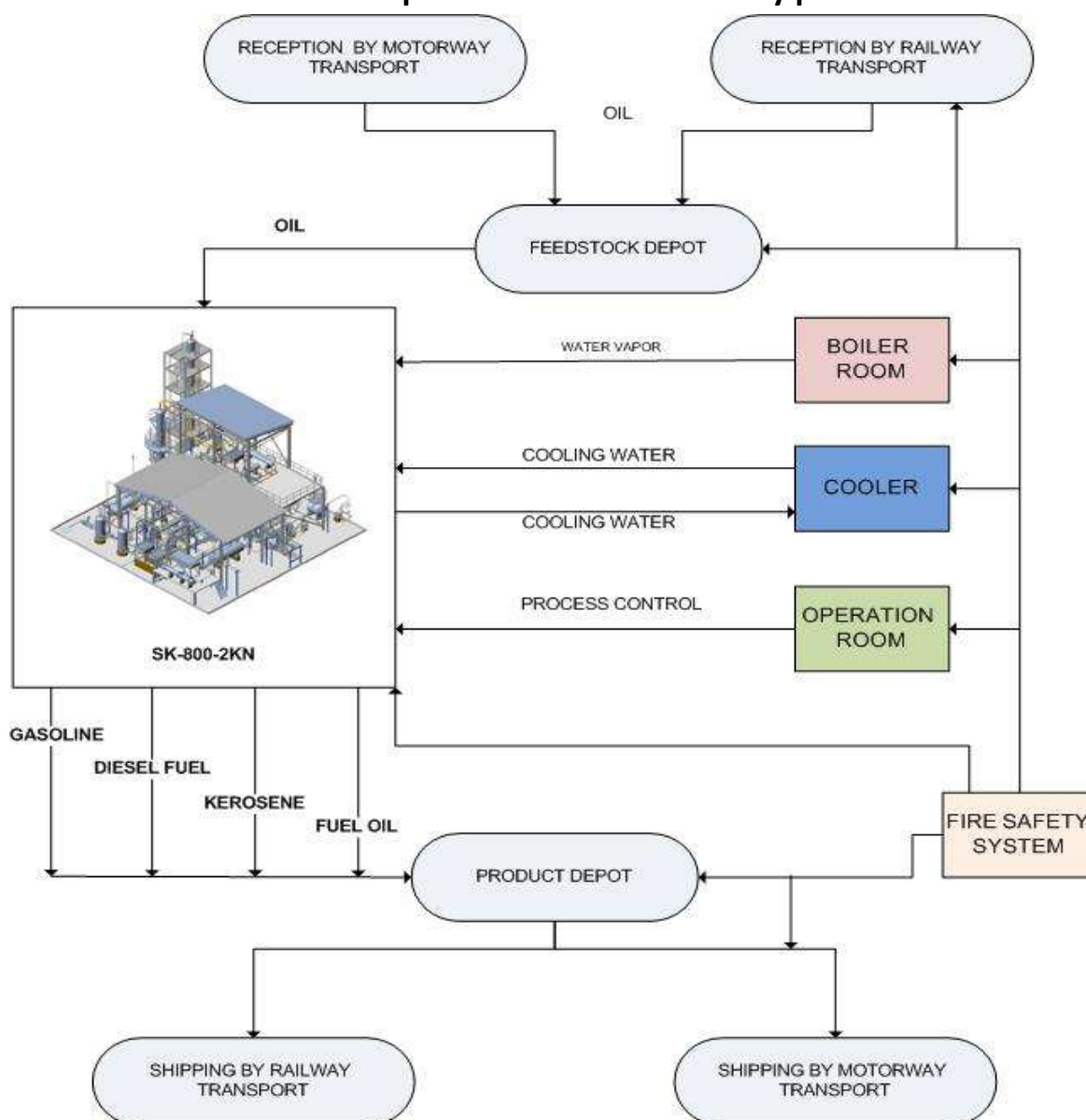
Crude oil distillation plants

Crude oil distillation plants are designed for fractionation of oil into straight-run petrol, diesel fuel, kerosene and fuel oil.

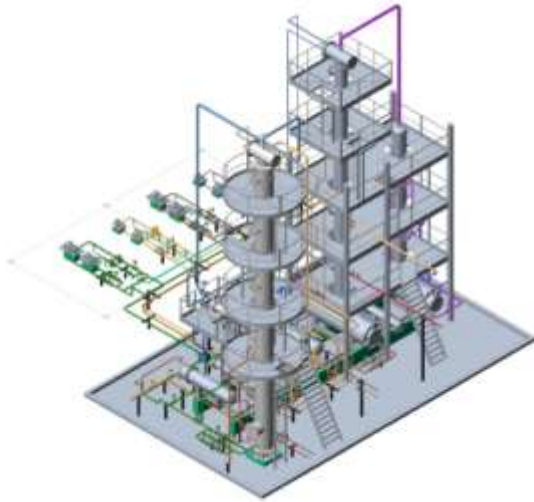
Production range of oil fractionation plants

Model	feed (oil) capacity	
	tons per day	tons per year
BDU-2ED	60	22 000
SK-800-2KN	190	65 000
SK-1000-2KN	290	100 000
SKD-1600-2K	900	300 000

Interaction pattern of mini oil refinery plant



Crude oil distillation plants

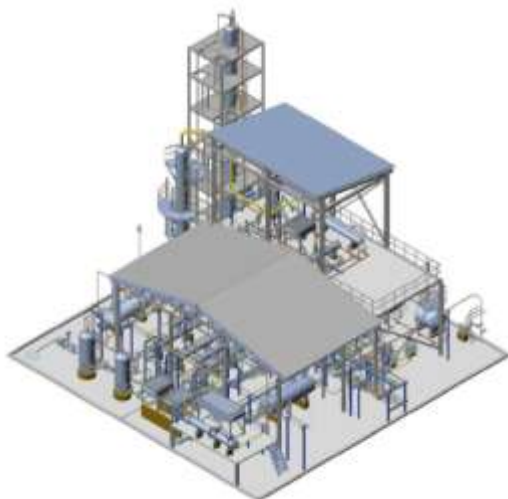


Model	feed (oil) capacity	
	tons per day	tons per year
BDU-2ED	60	22 000

Feed- oil, gas-condensate

Output products

- Straight-run petrol
 - Straight-run diesel fuel, Euro 2, Euro 3
 - Fuel oil of grade M-40, M100
- Term of manufacture – 150 day

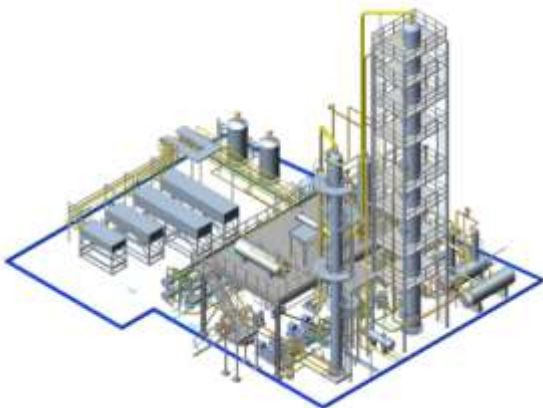


Model	feed (oil) capacity	
	tons per day	tons per year
SK-800-2KN	190	65 000

Feed - oil, gas-condensate

Output products

- Straight-run petrol
 - Straight-run diesel fuel, Euro 2, Euro 3
 - Fuel oil of grade M-40, M100
- Term of manufacture – 150 day



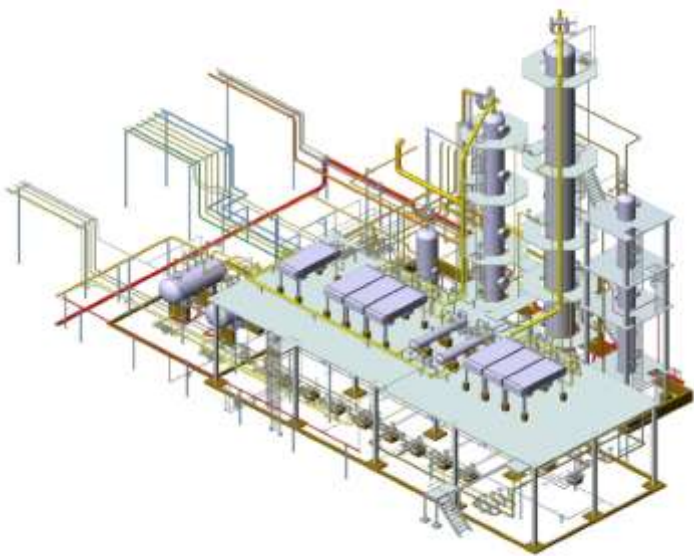
Model	feed (oil) capacity	
	tons per day	tons per year
SK-1000-2KN	290	100 000

Feed - oil, gas-condensate

Output products

- Straight-run petrol Euro 2, Euro 3
 - Straight-run diesel fuel,
 - Fuel oil of grade M-40, M100
- Term of manufacture – 180 day

LLC Research and Production Enterprise “NOUprom”



Model	Capacity	
	tons per day	tons per year
SKD-1600-2K	900	300 000

Feed - oil, gas-condensate

Output products

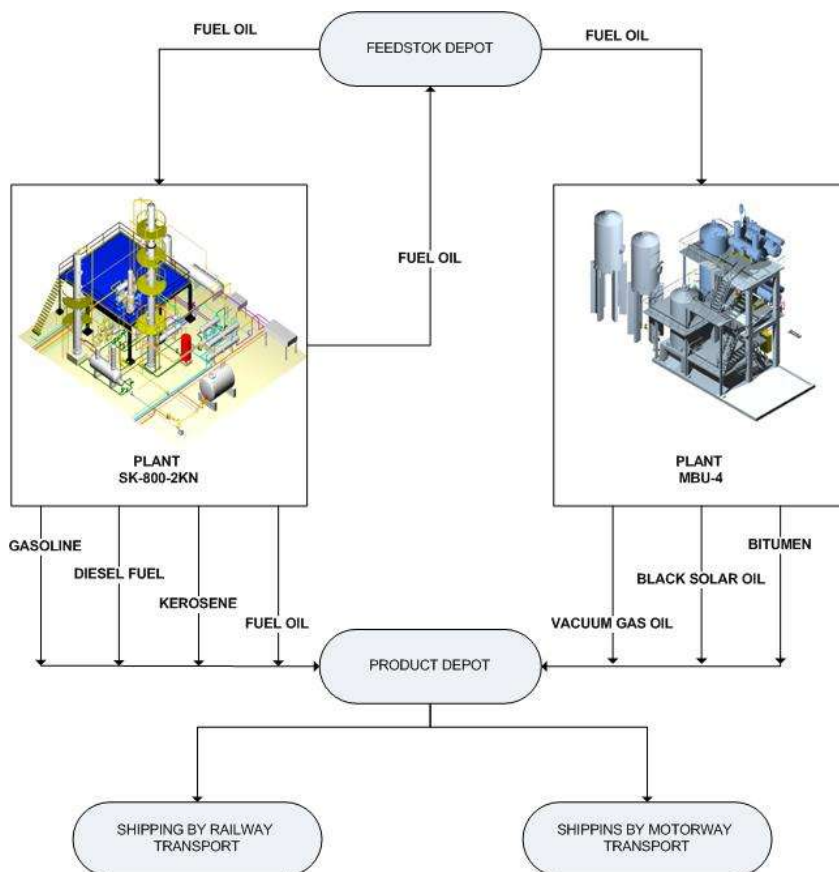
- Straight-run petrol
- Straight-run diesel fuel, Euro 2, Euro 3
- Fuel oil of grade M-40, M100

Term of manufacture –240 day

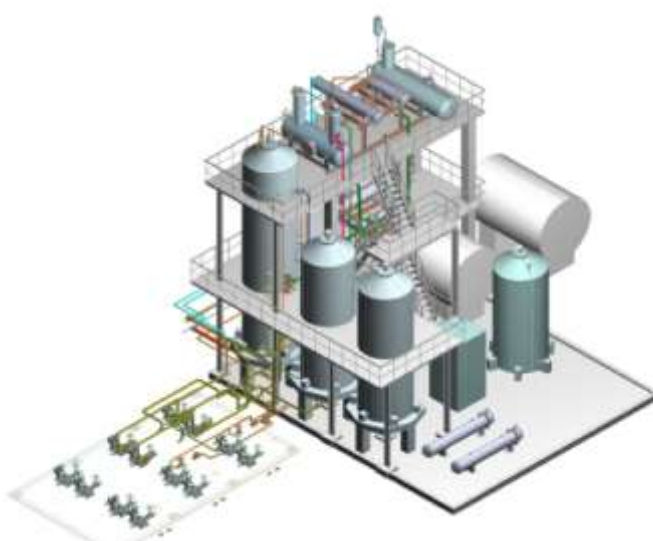
Plant for production of bitumen from straight-run fuel oil

Plants for production of bitumen from straight-run fuel oil are designed for production of bitumen of roofing and road construction grades from fuel oil tar. The resulting products are: bitumen, black solar oil, vacuum gas oil.

Scheme of interaction of bitumen production plants with primary oil distillation plant



Plant for production of bitumen from fuel oil



Model	feed (fuel oil) capacity	
	tons per day	tons per month
MBU-5	60-80	2400

Feed: fuel oil, tar

Output products:

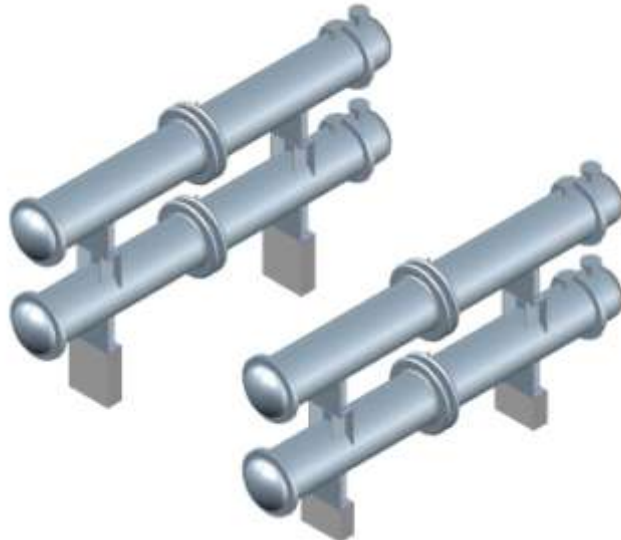
- Bitumen
- Vacuum gas oil
- Black solar oil

Term of manufacture – 200 day

Products

Along with production of oil refining plants and bitumen production plants, the company offers various types of industrial equipment

- List of manufactured equipment
- Heat Exchangers
- Furnaces for heating oil and oil products
- Distillation columns
- Capacitive equipment
- Special equipment

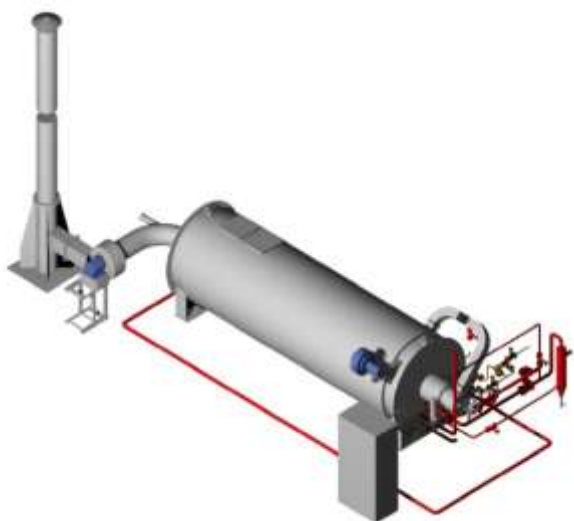


Heat Exchangers

Heat Exchangers of different versions are intended to transfer heat from one fluid to the other through the walls of heat exchange tubes. Heat exchangers (HE) can be provided with "floating head", lens compensators. Area of heat exchangers is in the range from 7 to 300 m².

Medium: water, steam, oil

Heating temperatures are in the range from 20 to 360 °C.



Tube furnaces are intended for heating of hydrocarbon feedstock by open fire heating of pipe coil by gases in the furnace chamber formed from combustion of liquid or gaseous fuels. The characteristics of **tube furnaces** are: capacity, maximum and rated power of the burner and the difference of heating temperature

Model	Capacity	Heating range
	tons per hour	°C
ANU 0.8	2.5	160-360
ANU 1.0	4	160-360
ANU-2,0	5.5	160-360
ANU 3.0	12	160-360
ANU 6.0	16	160-360

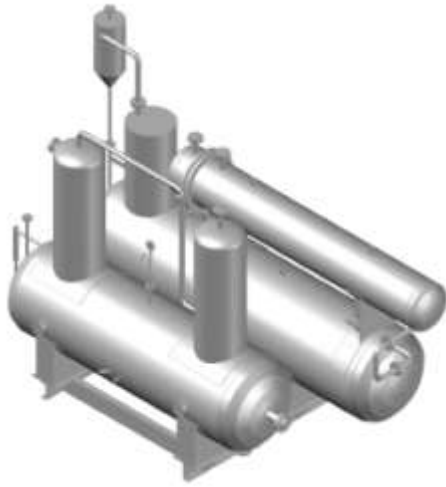


Distillation columns are cylindrical vertical type apparatuses intended for separation of hydrocarbon mixtures by distillation in mass-exchanging devices (trays or caps). The diameters of the columns produced are in the range from 530 to 1600 mm.



Capacitive equipment for the oil industry are designed with different structural complexity, capability to operate under pressure of up to 1.6 MPa and temperatures of up to 600 °C. Materials of construction: steel 20, stainless steel
Volumes are in the range from 2 to 50 m³.

LLC Research and Production Enterprise “NOUprom”



Apparatuses of different structural properties.

The apparatus can be elaborated by our experts under the design and specification of the customer.



Designing

Designing of the facilities of industrial use, oil refining facilities, oil storage facilities, pumping stations, railway and motorway overpasses for handling of oil and oil products.

Contacts

Address: Russian Federation, 350038, Krasnodar, 90 Berezanskaya Str.

Phone 8-861-259-43-33, phone/fax 8-861-254-14-95

Web-site: nouprom-npz.ru

e-mail: nouprom.world@gmail.com

Web-site: nouprom-npz.ru